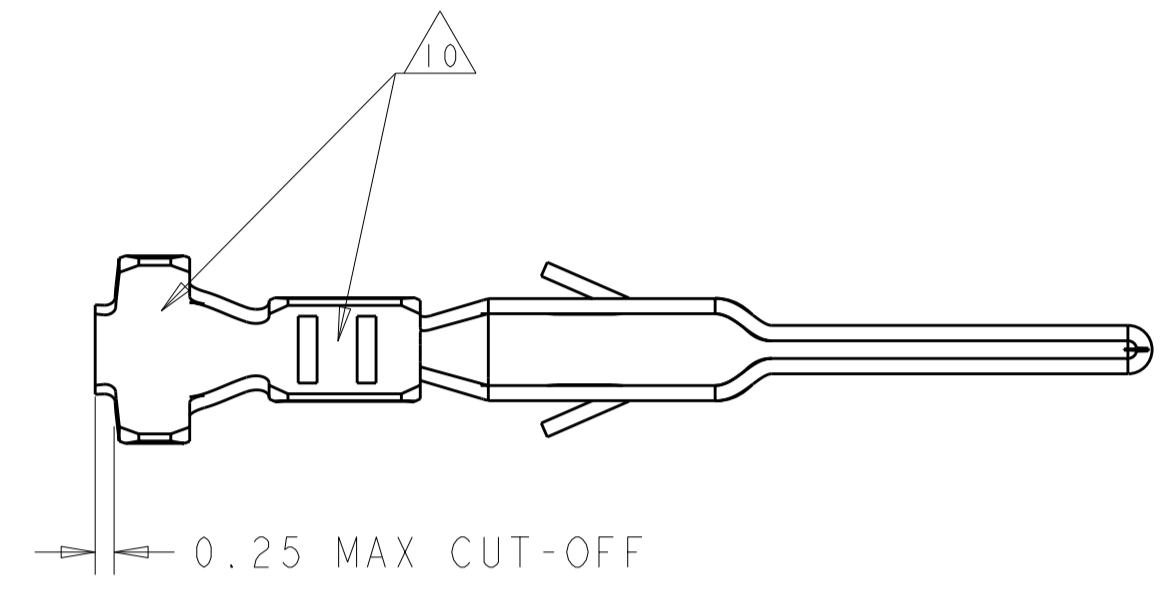
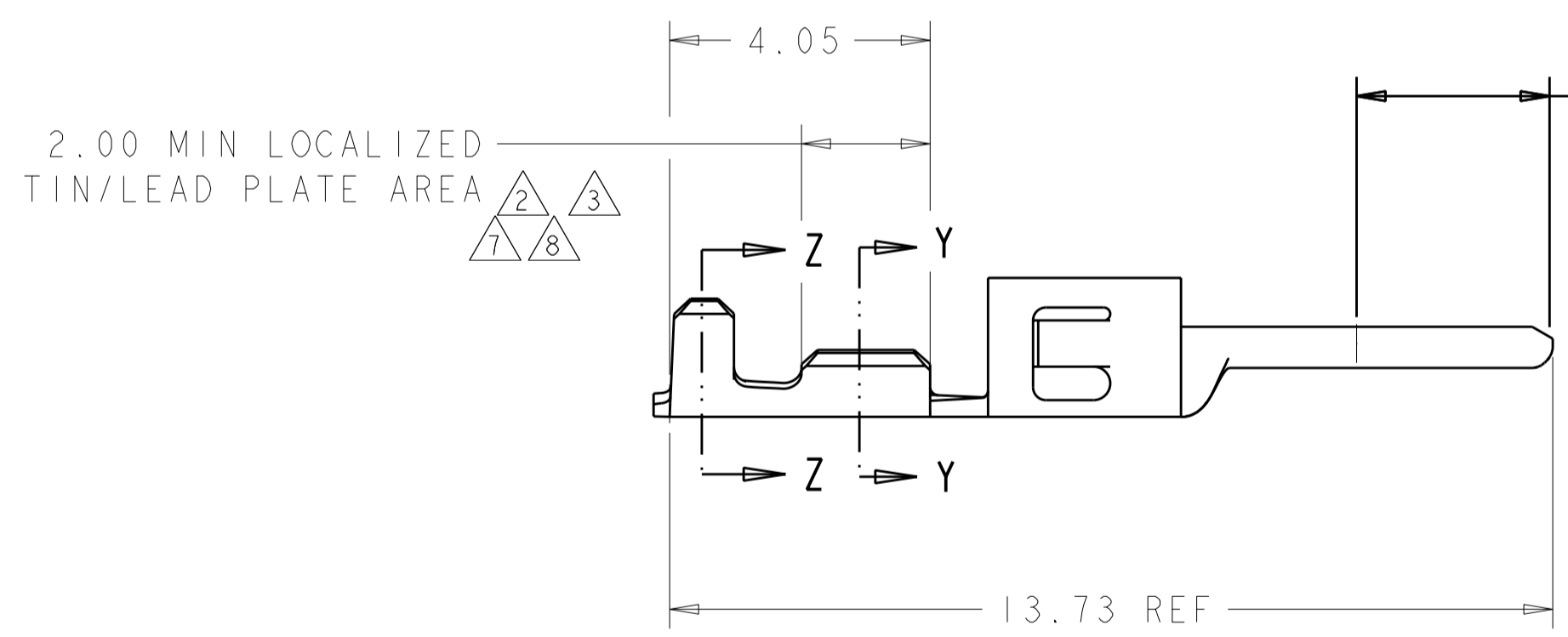


THIS DRAWING IS UNPUBLISHED. RELEASED FOR PUBLICATION 20
 © COPYRIGHT 20 BY - ALL RIGHTS RESERVED.

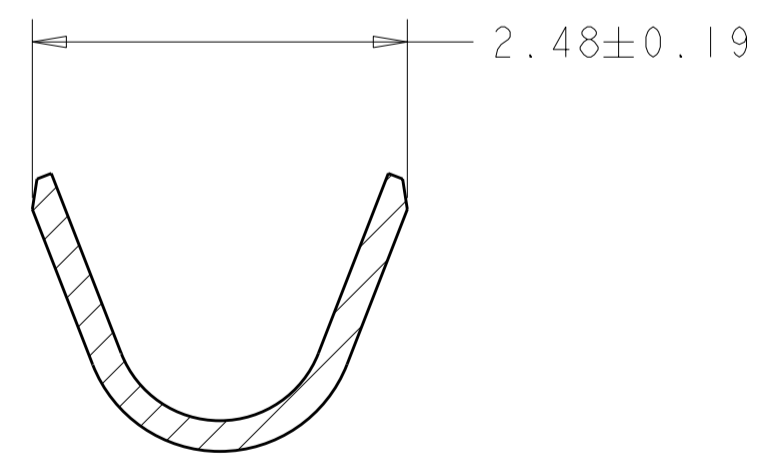
| LOC | DIST | REVISIONS | | | | | |
|-----|------|-----------|-----|---------------------------|-----------|-----|------|
| CM | 00 | P | LTR | DESCRIPTION | DATE | DWN | APVD |
| | | | B2 | REVISED PER ECO-11-005027 | 16MAR2011 | RK | HMR |



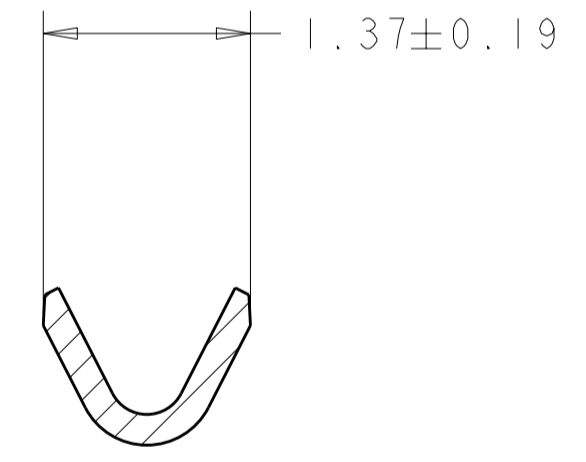
- 1. 2.5 µm MIN BRIGHT TIN/LEAD ENTIRE STOCK OVER 1.27 µm MIN NICKEL ENTIRE STOCK.
- 2. 0.38 µm MIN GOLD IN LOCALIZED GOLD PLATE AREA, 2.5 µm MIN BRIGHT TIN/LEAD IN LOCALIZED TIN/LEAD PLATE AREA, BOTH OVER 1.27 µm MIN NICKEL ON ENTIRE STOCK.
- 3. 0.76 µm MIN GOLD IN LOCALIZED GOLD PLATE AREA, 2.5 µm MIN BRIGHT TIN/LEAD IN LOCALIZED TIN/LEAD PLATE AREA, BOTH OVER 1.27 µm MIN NICKEL ON ENTIRE STOCK.
- 4. WIRE RANGE 26-30 AWG.
- 5. INSULATION RANGE 0.89-1.52
- 6. 2.5 µm MIN BRIGHT TIN ENTIRE STOCK OVER 1.27 µm MIN NICKEL ENTIRE STOCK.
- 7. 0.38 µm MIN GOLD IN LOCALIZED GOLD PLATE AREA, 2.5 µm MIN BRIGHT TIN IN LOCALIZED TIN PLATE AREA, BOTH OVER 1.27 µm MIN NICKEL ON ENTIRE STOCK.
- 8. 0.76 µm MIN GOLD IN LOCALIZED GOLD PLATE AREA, 2.5 µm MIN BRIGHT TIN IN LOCALIZED TIN PLATE AREA, BOTH OVER 1.27 µm MIN NICKEL ON ENTIRE STOCK.
- 9. NOTE DELETED.
- 10. TIN PLATING THICKNESS INSIDE WIRE AND INSULATION BARRELS TO BE 1.27 µm MIN.



3.00 MIN LOCALIZED GOLD PLATE AREA 2 3 7 8

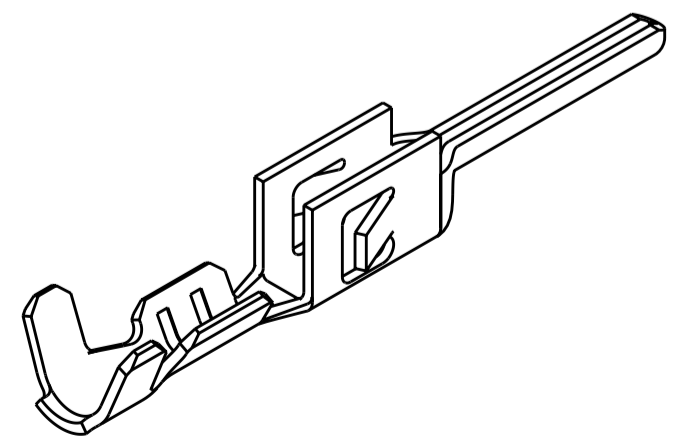


SECTION Z-Z
SCALE 20:1



SECTION Y-Y
SCALE 20:1

| | |
|--------|-------------|
| 8 | 1-794613-2 |
| 7 | 1-794613-1 |
| 6 | 1-794613-0 |
| 3 | 794613-3 |
| 2 | 794613-2 |
| 1 | 794613-1 |
| FINISH | PART NUMBER |



METRIC

| | | | | |
|---|--|------------------------------|--|----------------------|
| THIS DRAWING IS A CONTROLLED DOCUMENT. | | DWN W J RUDY 29AUG2000 | TE Connectivity | |
| DIMENSIONS: mm | | CHK W DAVIS 29AUG2000 | | |
| TOLERANCES UNLESS OTHERWISE SPECIFIED: | | APVD W DAVIS 29AUG2000 | NAME PLUG CONTACT, CRIMP SNAP, 26-30 AWG, LOOSE PIECE, MICRO MATE-N-LOK(TM) | |
| 0 PLC ± 1 PLC ± 2 PLC ±0.13 3 PLC ± 4 PLC ± | | PRODUCT SPEC - | SIZE A2 | |
| MATERIAL 0.20 THK BRASS | | APPLICATION SPEC - | CAGE CODE 00779 | DRAWING NO 794613 |
| ANGLES FINISH | | WEIGHT - | SCALE 10:1 | SHEET 1 OF 1 |
| CUSTOMER DRAWING | | RESTRICTED TO - | | REV B2 |